

THE **NEW** GENERATION
HBE HORSEBOX



BRITAIN'S LEADING
TRAILER MANUFACTURER



CELEBRATING 60 YEARS OF ENGINEERING EXCELLENCE

IN SAFE HANDS FOR 60 YEARS

Introducing the stunning new **HBE** range, a welcome and much requested addition to our HB family of trailers.

Since 1958, people have put their trust in our trailers, just ask an owner - they're not difficult to find. With 60 years of engineering experience we proudly present this truly exceptional horsebox. As befits the latest addition to the prestigious **HB** range, the **HBE** builds on the decades of expertise and knowledge of Ifor Williams Trailers while simultaneously introducing a striking new design that sets it apart.

The result reflects our investment in new technologies, processes and materials that ensure our products continue to exceed our customers' expectations. For the discerning horse owner, no other horsebox trailer comes close.





HBE506 with 8-spoke diamond cut alloy wheels



HBE506 with 8-spoke alloy wheels, high level brake light, partition and side wall padding



SUPERBLY ENGINEERED

The new **HBE** has been designed with a distinctly European feel. This superbly engineered horsebox includes all the strength, durability and comfort you would expect from any Ifor Williams Trailers product, and with a host of intelligent features the **HBE** is superb value for money.

The sides, floor and ramp of the **HBE** range are manufactured entirely from aluminium planking. This lightweight structure provides clean modern lines, making the horsebox easy to tow without compromising on strength. The sides and ramp are all anodized to give a smooth and sophisticated finish which is easy to maintain. The chassis and body have been designed and engineered with weight and strength considerations at the forefront, providing a safe, strong and solid construction.

The **HBE** includes a streamlined aluminium body and a stylish one-piece roof, all combined with features that offer unparalleled comfort for your horse and remarkable ease of use and versatility for you.

Our uncompromising commitment to safety means that we subject all of our horsebox trailers to rigorous testing at our own facilities as well as independent test tracks for complete peace of mind.

DESIGNED FOR YOUR HORSE

In the development of the beautifully engineered **HBE**, as well as creating a stylish trailer to look at, the objective was to produce a horsebox that offers excellent levels of comfort and safety for your horse. Every detail has been meticulously considered to ensure every journey is smooth, comfortable and effortless.

Carefully selected materials and superb attention to even the smallest detail means our **HBE** is safe and strong whilst being extremely attractive on the road. It's all part of our assurance of quality, strength, value and easy maintenance that make Ifor Williams Trailers the obvious choice.



HBE506 with 8-spoke alloy wheels, high level brake light, padded breast breaching bars, partition and side wall padding.



HBE with 8-spoke alloys wheels, high level brake light, partition and side wall padding

HBE-506

The **HBE-506** double horsebox is ideal for two horses up to 16.2hh. This horsebox has been designed to provide extra space at the front of the trailer instead of a front ramp. A tack locker can be installed in this space if this option is selected, or it can remain empty. The **HBE** with no tack locker is the lightest and most affordable double horsebox in our range.

When selected, the **HBE** Tack Locker is conveniently situated in the front of the horsebox. It is spacious and well equipped to keep saddles, whips and other equine necessities in an organized manner. The tack locker door has a lock and corresponding key to ensure all contents inside are safe and secure.



The **HBE-506** is available in:

- Silver
- Black



HBE-506 in black with Tack Locker



HBE-506

Tack Locker
in black

506

FEATURES: STRONG SMOOTH & RELIABLE

The **HBE** has been designed and engineered with weight and strength considerations at the forefront, providing a safe, strong and solid construction. The chassis is a welded steel, hot dipped galvanised construction for a long and trouble-free life whilst the body is a robust aluminium frame of six vertical box sections and horizontal extrusions running the full length of the trailer.

A key element of safe towing and handling of any trailer is the suspension system. The **HBE** uses the Ifor Williams trailers parabolic leaf spring suspension. The superb suspension characteristics of this parabolic leaf spring system provides a comfortable ride for your horse, something which was clearly recognized as being the best system on offer when tested independently in Germany.



One-piece roof

The stylish roof provides smooth aerodynamic lines, while its one-piece design provides a joint free solution.



Parabolic leaf spring suspension

The Ifor Williams beam axle and parabolic leaf spring system increases stability and reliability, whilst ensuring minimum maintenance.



Rear step

A practical addition to the **HBE**, this step can take a person's weight safely and is positioned to help you reach the rear roller blind mesh screen. This is also useful for checking on your horse via the rear aperture.



Galvanised chassis

Our superbly engineered and manufactured chassis is the robust foundation of all our trailers. As with all Ifor Williams trailers, the **HBE** range is built on an advanced galvanised chassis which is designed to provide a smooth and comfortable towing experience for years to come.



HBE506 with 8-spoke alloy wheels and high level brake light

Rear roller blind mesh screen

Lightweight and easy to use, the roller blind mesh screen adds privacy as well as shelter from the weather. Easily adjustable, the mesh screen can be closed fully or half way.

Feel the difference

The ramps on the **HBE**, while manufactured in aluminium, continue to have the solid feel and reassuring weight which is characteristic of the quality we build into all our trailers. However, you will find the ramps easy to lift as the gas assisted mechanisms take the strain.



Combined ramp and door

For horsebox owners looking for additional versatility, the standard rear combined ramp and door is ideal.

Operating as a ramp when loading horses, the ramp can also be opened as a side opening door enabling a fork lift truck to load heavy items into the horsebox*. With the centre partition removed, the loading area can be further increased.

*When using the horsebox for carrying loads (not horses) ensure that the load is evenly distributed over the axles.



FEATURES: ROBUST & SAFE AS STANDARD

Features include brushed aluminium frame extrusions and a lowered aluminium skirt running around the front of the chassis, improving the visual appearance of the horsebox.

Cast coupling, included as standard.



HBE506 with 8-spoke alloy wheels and high level brake light



Front windows

Two transparent windows at the front of the trailer. The windows have an opening mechanism increasing natural light and giving additional ventilation whilst on the move.



Combined mud guard and rear light cluster

Manufactured from tough and impact resistant materials.



Internal door lock (grooms door)

A tough moulded door latch mechanism with a smooth finish to prevent injury to horses. Can be locked and unlocked from inside, provides privacy for riders if used for changing at a show.



Clip-on number plate holder

The clip-on number plate holder enables you to attach your number plate to the trailer without adhesive. Number plates to be changed quickly and easily when using different towing vehicles.



Breast bar release system

Breast bar release system, compatible with the wheel brace supplied, enables the release of breast bars safely from outside of the trailer.



Front panel

The **HBE** range features a front nose panel which is manufactured from aluminium to provide extra resilience.



Aluminium floor and rubber matting

Aluminium floors fitted as standard. Floors are covered with a 12mm thick removable rubber matting, providing a non-slip surface and excellent vibration absorption.





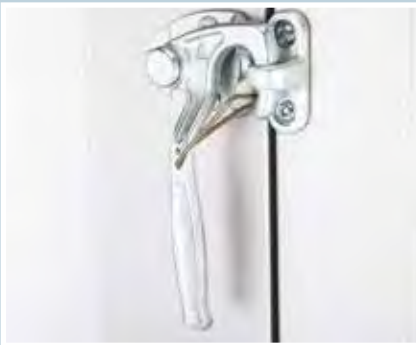
Interior LED light

Essential on dark evenings, when loading and unloading horses.



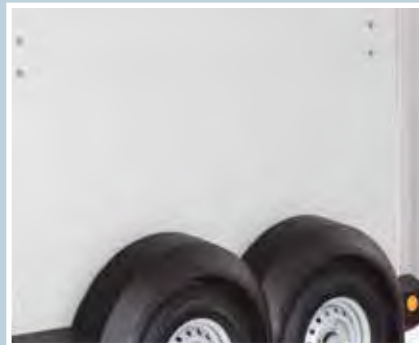
Side mounted spare wheel

Positioned on the side of the trailer with a stylish Ifor Williams Trailers wheel cover for protection.



Rotating catches

Sturdy metal handles that enable the back to open as a ramp or as a side hinged door for multi-purpose use. This is ideal for use when collecting feed, hay bales or any other item that could be loaded using a fork lift truck.



Aluminium side planks

Aluminium planking provides a light weight and robust structure for the side walls of your horsebox. Anodised silver finish gives a modern look and feel.



Centre partition and interior kickboard

Centre partitions come as standard; easily removable so the horsebox can be converted from two stalls into one large stall (additional full width breast/breaching bars required). Hard-wearing plastic kickboards along the sides and rubber skirts along the centre partition provide additional protection for the horse.



HBE506 with 8-spoke alloy wheels and high level brake light

OPTIONS: FINISHING TOUCHES

Add some finishing touches to your horsebox with our wide range of additional accessories, many of which are exclusive to Ifor Williams Trailers. From Tack Packs™ to a trailer camera, our accessory options make perfect additions to your horsebox and if not factory fitted items, are ideal gifts for owners.



HBE506 with 8-spoke alloy wheels



6-spoke silver



8-spoke silver



8-spoke diamond cut

Alloy wheels

Give your horsebox even more impact by adding a set of exclusive alloy wheels with Ifor Williams Trailers branded centres (four per trailer). Choose from three designs, 6-spoke silver alloys, 8-spoke silver alloys and 8-spoke diamond cut alloys.



Wheel trims

Add the finishing touches to our standard steel wheels, by fitting a set of wheel trims (four per trailer). (Design may vary to the one illustrated above).



Auto-lift jockey wheel

Popular in mainland Europe the auto-lift jockey wheel removes the need to unclamp lift and reclamp the jockey wheel. The operation is completed by simply turning the handle to raise or lower the jockey wheel without the need to adjust the height position.



Full width breast and breeching bar

Full width breast and breeching bar for horses that prefer single travel in a wider stall. Centre partitions are removed and full width breast and breeching bars are fitted. Only non-padded full width breast and breech bars are available.



Partition and side wall padding

Add specially designed Ifor Williams Trailers padding to the centre partition and side walls of your horsebox for added comfort for your horse.



Head partition

Head partitions are easily fitted by clipping to the front panel of the horsebox and the centre partition.



Prop stands

Consider prop stands if your horse requires a particularly steady surface to load. Additional support will reassure nervous horses.

TACK LOCKER OPTION



Horsebox cover

Protect your horsebox from the elements with a waterproof and breathable cover.



Padded breast and breech bars

Padded breast and breeching bars are available as an option for the extra comfort of your horse. Full width padded breast and breeching bars are not available.



Trailer aid

Use it once and you'll never be without it. Use when replacing a flat or punctured tyre. Saves time and energy, no need to use a jack.



Providing useful space for all your equipment, the tack locker can be selected as an option. It is built into the front nose area of your horsebox and is accessible from the outside through a side locker door. The tack locker is only available on the left hand side.

Tack locker includes:

- Adjustable height dual saddle rack (18")
- Whip rack
- Two shelves
- Bridle hooks
- Space for saddles 80cm x 60cm
- Tack locker interior lamp



HBES06 with 8-Spoke Alloy Wheels

OPTIONS: FINISHING TOUCHES

The addition of selected accessories allows you to further enhance your trailer and tailor it to suit your specific needs. Accessories can be either factory fit items or can be fitted by your distributor.



HBE506 with 8-spoke alloy wheels



Tack pack – fixed

Attached to the grooms door, this neat storage solution is capable of storing two saddles and various other items. The fixed tack pack is suitable for general purpose saddles up to 17" (43cm). We advise that you check saddles fit before the tack pack is purchased. Available in cream.



Feeding mangers

Useful feeding mangers mean your horse need never go hungry. These mount onto the outside of the tack locker inside the horsebox. Only suitable for use while the horsebox is stationary.*** This accessory can only be used if tack locker option has been specified.



Horse and trailer camera

The wireless camera system transmits live colour footage from the horsebox interior to the towing vehicle. Powered from the horsebox lighting system, passengers can monitor the horse during transit. Supplied loose, requires fitting.



Tack pack – wheeled

Fits neatly into the nose area and is suitable for general purpose saddles up to 18" (46cm). We advise that you check saddles fit before the tack pack is purchased. Available in silver.



High level brake light

Fitted to the rear roof arch, this optional brake light provides additional warning that the horsebox and vehicle are braking.



Stowage net

Ideal for storing manuals and other small items. Fitted in the front of the trailer.

***Horses should never be left unattended.



HBE506 with 8-spoke alloy wheels and high level brake light



HBE506 with 8 spoke alloy wheels and high level brake light

SPECIFICATIONS



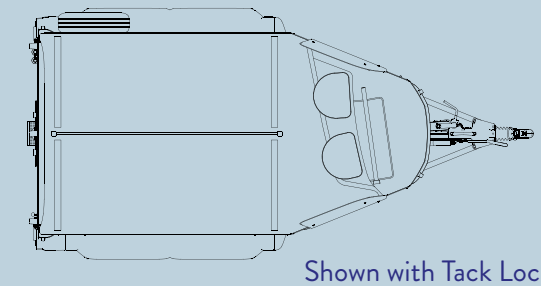
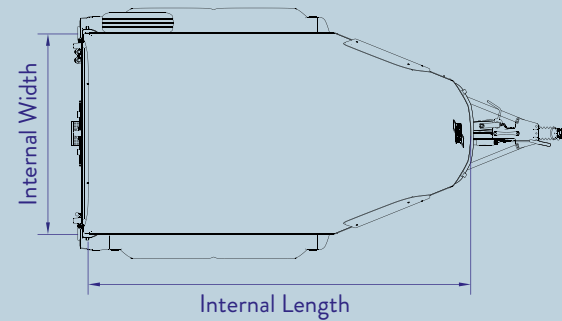
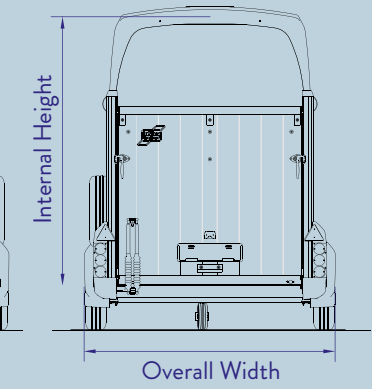
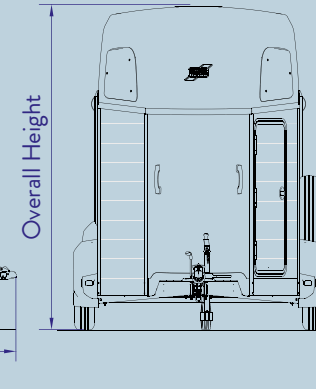
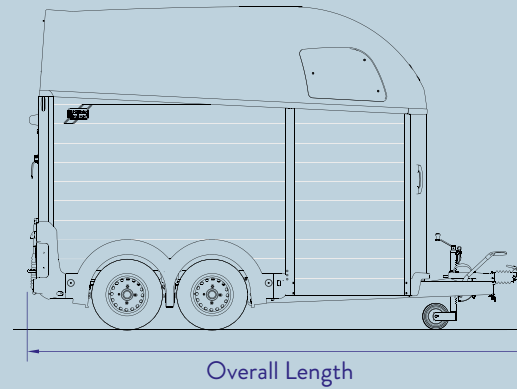
Black



Silver

Choose from two colour options, all with colour co-ordinated front panel and roof. Colours have been carefully selected to complement the colours of popular towing vehicles.

	HBE 506
Tyres	165R13C
Maximum gross weight	2000kg
Unladen weight	775kg
Overall height	2.75m
Overall width	2.14m
Overall length	4.30m
Internal height	2.29m
Internal width	1.67m
Internal length	3.26m
Stall width	0.82m
Stall length min/max	1.43/1.83m
Breast/breeching bar height	0.95/1.27m



Shown with Tack Locker

THE IFOR WILLIAMS COMMITMENT TO TRAILER SECURITY

Each trailer is fitted with an ID plate which has a unique serial number etched on it. Additionally, the drawbar has a different unique number cut through it, which is virtually impossible to alter without noticeably affecting the appearance of the numbers and galvanized finish.

TER - THE NATIONAL PLANT AND EQUIPMENT REGISTER

When you register your new trailer it is automatically registered with TER (The National Plant and Equipment Register). Their mission is to combat plant theft and fraud in the UK and Europe. By registering ownership, both technical and marking details can be made available to international police forces through TER. All Ifor Williams Trailers include free registration to TER once your trailer is registered by your distributor. For further information on TER please see their web site at www.ter-europe.org

DATATAG, UK ONLY

Datatag is Europe's leading electronic tagging system and was originally developed to combat theft in the UK motorcycle industry. Datatag transponders (tags) are miniature transmitters. These are hidden deep within the trailer during manufacture, and transmit a unique code that can only be read with special scanning guns. These are issued to Police and HM Customs free of charge. On recovery of a stolen trailer the identity of the trailer can be verified and the rightful owner contacted.

For further information on Datatag please visit their web site at www.datatag.co.uk

Datatags are fitted as standard to all Ifor Williams Horsebox trailers for extra security and peace of mind.

MAINTENANCE

We recommend that your trailer is serviced by a recognised trailer mechanic to ensure it is always kept in best possible condition. All Ifor Williams Trailers distributors provide this service and can advise you on how regularly your trailer will need servicing.

Always clean your trailer regularly, both inside and outside, paying particular attention to the outside during winter months, as salt on the road will discolour the galvanized steel.

FEATURES

		HBE 506	HBE 506 TACK LOCKER
Trailer Features / Options	Combined Ramp and Door (Rear 2-WAY Hinge Ramp/Door)	STD	STD
	Aluminium Floor	STD	STD
	Aluminium Sides and Ramp	STD	STD
	Cast Iron Over-Run Coupling	STD	STD
	Galvanised Steel Chassis and Parabolic Beam Axle Suspension	STD	STD
	Interior LED Light	STD	STD
	Removable Rubber Floor Matting	STD	STD
	Opening Side Window Complete with Protection Bars	STD	STD
	Roof Ventilator	OPTION	OPTION
	Reversing Light	STD	STD
	Number Plate Holder	STD	STD
	Centre Roof Mounted Hay Net Tie Ring	STD	STD
	Locking Grooms Doors	STD	STD
Prop Stands	OPTION	OPTION	
Centre Partition and Interior Features and Options	Full Width Breast and Breeching Bars	OPTION	OPTION
	Padded Breast and Breeching Bars	OPTION	OPTION
	Quick Release Breast Bar System	STD	STD
	Centre Partition	STD	STD
	Centre Partition Padding	OPTION	OPTION
	Head Partition	OPTION	OPTION
	Side Wall Padding	OPTION	OPTION
	Rear Roller Blind	STD	STD
Stowage Net	OPTION	OPTION	
Tack Locker / Tack Pack Options	Built in Tack Locker	N/A	STD
	Two Feeding Mangers with Fixing Brackets	N/A	OPTION
	Wheeled Tack Pack	OPTION	N/A
	Interior Lamp	N/A	STD
	Door Mounted Tack Pack	OPTION	N/A
Wheel Options	Spare Wheel (Steel) and Cover	STD	STD
	Wheel Trims (For Steel Wheels 4 per Trailer)	OPTION	OPTION
	6-Spoke Silver Alloy Wheels (4 per trailer)	OPTION	OPTION
	8-Spoke Silver Alloy Wheels (4 per trailer)	OPTION	OPTION
	8-Spoke Diamond Cut Alloy Wheels (4 per trailer)	OPTION	OPTION
	Locking Wheel Bolts (For Alloy Wheels)	OPTION	OPTION
	Wheel Chocks (Pair)	OPTION	OPTION
Lockable Spare Wheel Carrier Kit	OPTION	OPTION	
Finishing Touches / Gift Ideas	Trailer Camera (Supplied loose, requires fitting)	OPTION	OPTION
	Trailer Cover (Blue)	OPTION	OPTION
	13 Pin to 7 Pin Towing Electric Plug Adaptor	OPTION	OPTION
	Coupling Head Security Lock	OPTION	OPTION
	Trailer Aid	OPTION	OPTION
High Level Brake Light	OPTION	OPTION	

For Trailers with Built in Tack Locker: As standard, the built in tack locker includes bridle hooks, two saddle racks, two shelves, a riding crop holder, rubber matting and an interior LED Light. Only available on left hand side.

For Trailers without Tack Locker: Unless specified at the time of order a left hand inspection door will be fitted.





Ifor Williams Trailers Ltd
Cynwyd, Corwen,
Denbighshire LL21 0LB UK
Telephone +44 (0)1490 412527
sales@iwt.co.uk

For further information visit our
comprehensive website
www.iwt.co.uk

Product design, descriptions, colours, specifications etc. correct at time of going to press. We constantly strive to improve our products, and from time to time this may result in changes to our range or to individual models. Please check that design, description, colours, specifications described in this brochure are still valid at the time of placing an order.

Our distributors have extensive product knowledge and will be pleased to offer assistance in the selection of your trailer.

© Ifor Williams Trailers Ltd 2018.

All rights reserved.

No part of this publication may be reproduced in any form or by any means, without the prior written permission of Ifor Williams Trailers Ltd.

NOW AVAILABLE THE NEW HBX RANGE

An Ifor Williams Trailers horsebox that offers simplicity and ease of use as well as stunning styling.

See separate brochure and price list.

